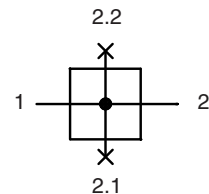
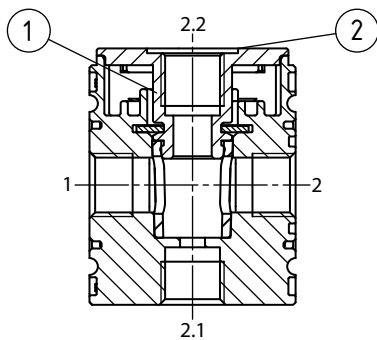


item	type	KDIS-014
port size		G 1/4
description		
mounting		arbitrary
medium		compressed air, neutral gases
medium- and ambient temperature		max. 60 °C
supply pressure		Pe max. 12 bar
nominal flow (1 → 2) *)		Qn 2700 l/min
flow top (1 → 2.2)		Qn 2000 l/min
flow below (1 → 2.1)		Qn 2000 l/min
fixing		mounting bracket, wall mounting
weight		0,090 kg

*) p = 6 bar; Δp = 1 bar



series 0

ordering information

KDIS - * ***

type

port size accessories

ordering example: KDIS-014

1 port size	
014	G 1/4
014 NPT	1/4-18 NPT
2 accessories (see reverse side)	
U	pressure switch

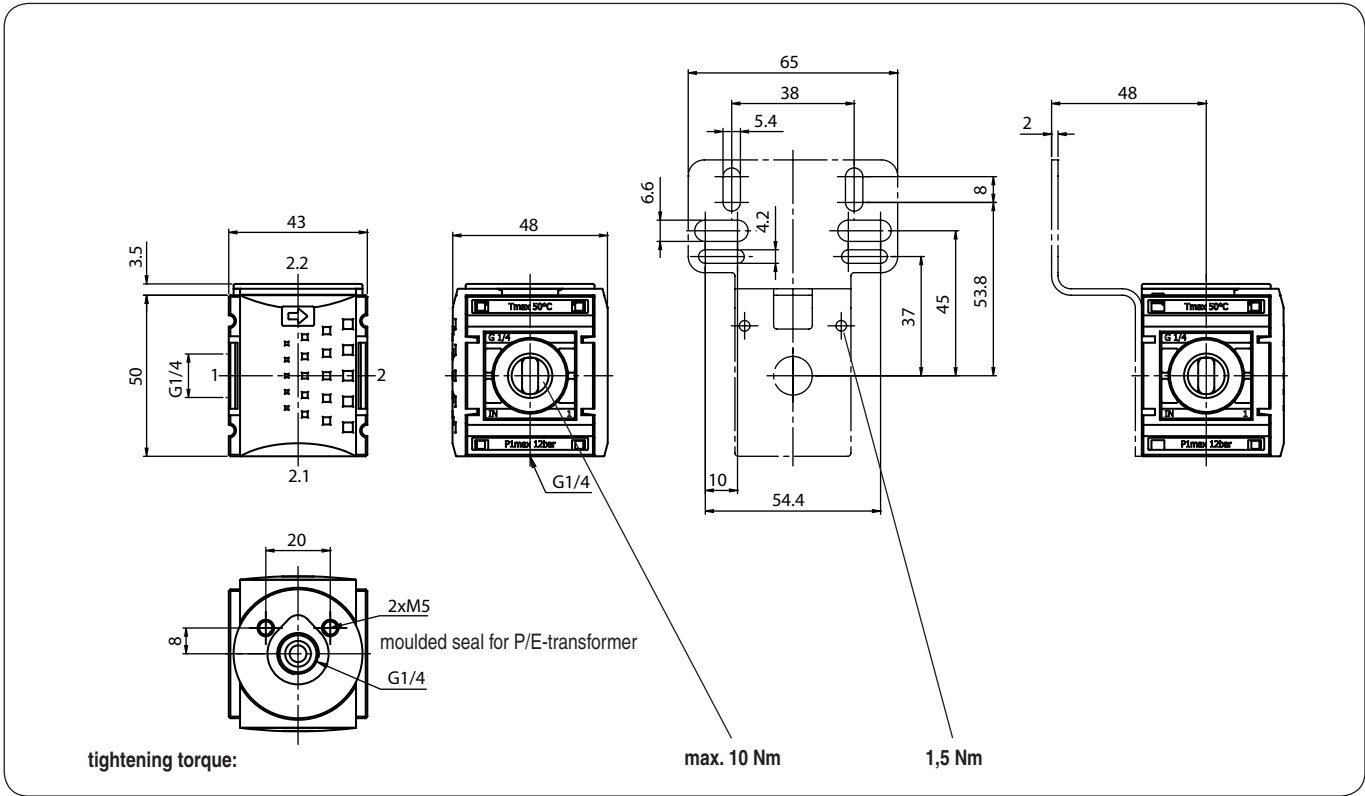
parts

no.	designation	material	order-no.
1	cover DE.0-305	GD-ZnAl-4Cu1	---
2	seal for pressure switch ESA.1-1300	NBR	99901.1300

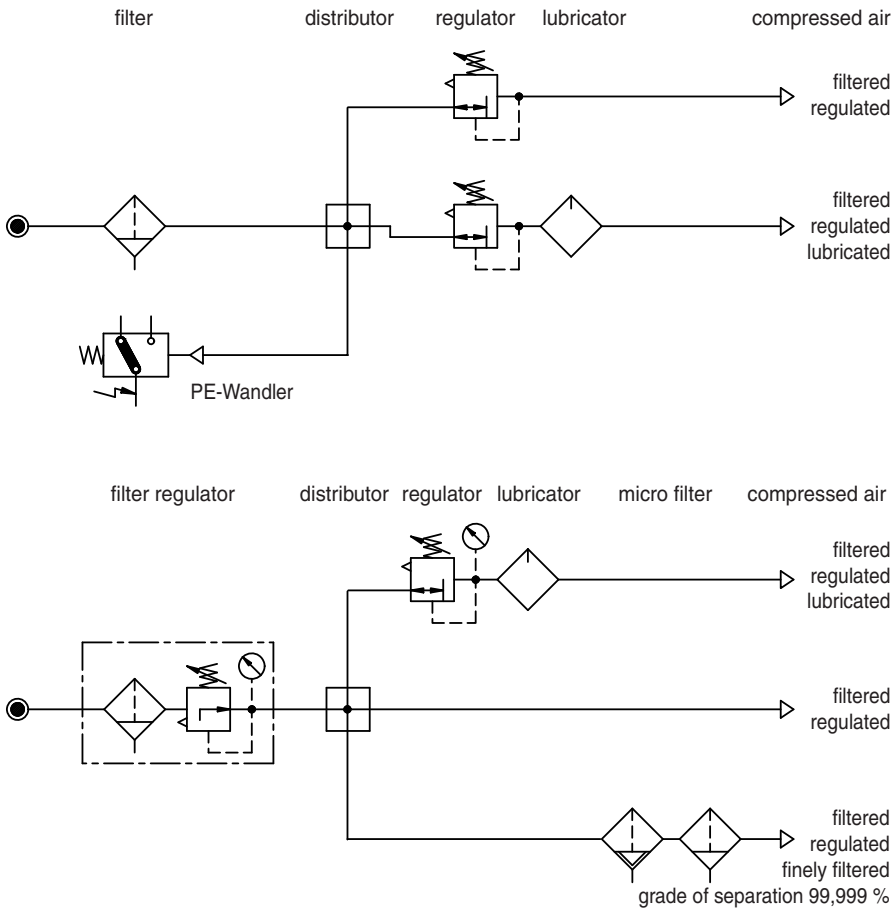
application information

- Suitable for flange assembly of a mechanical pressure switch
- Interlocking of several individual devices requires coupling kit(s) KKOP.0

dimensions (mm)

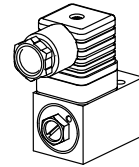


areas of application



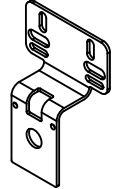
accessories 2

pressure switch



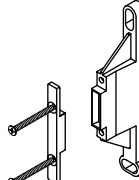
type: PE.10

mounting bracket with screws



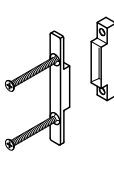
type: KBW.0-1225

coupling kit wall mounting



type: KKOP.0W

coupling kit



type: KKOP.0