

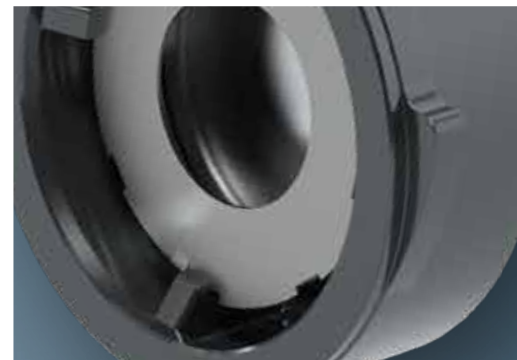
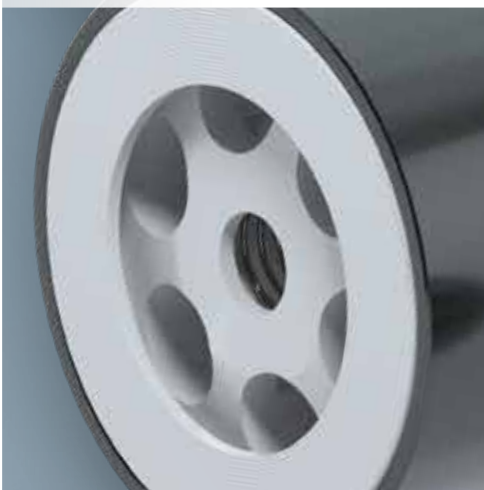
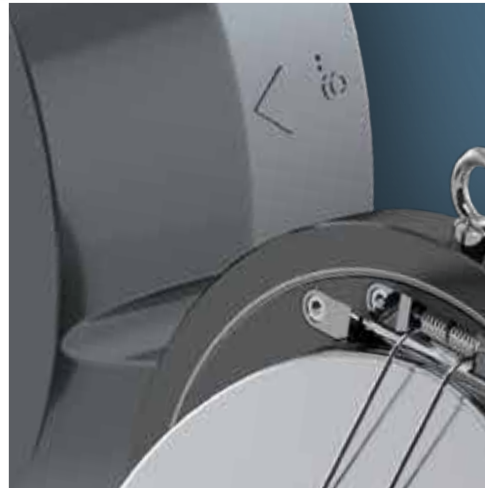


GHIBSON

valves

**Check
valves**

**DISC &
SWING Type**





Check valves

DISC & SWING Type

DISC TYPE Ghibson disc check valves (G Series) represent an extensive combination of solutions starting from low pressure design up to 160 Bars. G series is basically composed by three product line (GA-GB / GN-GT / GH) with a wide range of materials and customizations.

SWING TYPE Ghibson swing check valves (GS series) are manufactured in many materials as well as pressure ratings and flange connections. Available for general purpose applications and also with spring loaded flap.



DISC TYPE

GA - GB Series	1
• GA 015	1
• GB 015	2
• GB 023	3
• head losses	4
• temperature/pression	4
GN - GT Series	5
• GN011 - GN015	5
• GN091 - GN115	5
• GT011 - GT015	5
• GT091 - GT095	5
• head losses	6
• temperature / pressure	6
• springs table	6
GH Series	7
• GH 011 - GH 015	7
• head losses	8
• temperature / pressure	8
• springs table	8

SWING TYPE

GS Series	9
• GS 011 - GS 015 - GS 095	9
• dimensions table	10
• rate of flow	11
• head losses	11
• temperature/pression	11

GHIBSON

Zola Predosa
Bologna

GHIBSON & CO

Nova Milanese
MB



Ghibson Italia srl reserves the right to change and/or update data/content without previous notice.



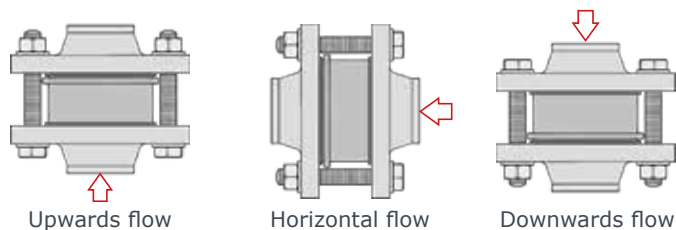
GA 015 DN 15 - 100 • 1/2" - 4"

Features and Advantages

Little dimensions and low weights
 Face to face acc.to DIN EN 558 Series 49 (DIN 3202 K4).
 Opening pressure from 20 to 500 mBar.
 Usable also as vacuum breaker, overpressure and bottom valve.
 Leakage:
 according to EN 12266-1 Rate A with soft seat,
 according to EN 12266-1 Rate E with metal seat.
 Low head losses.

GB 015 DN 15 - 100 • 1/2" - 4"

To be installed in any position

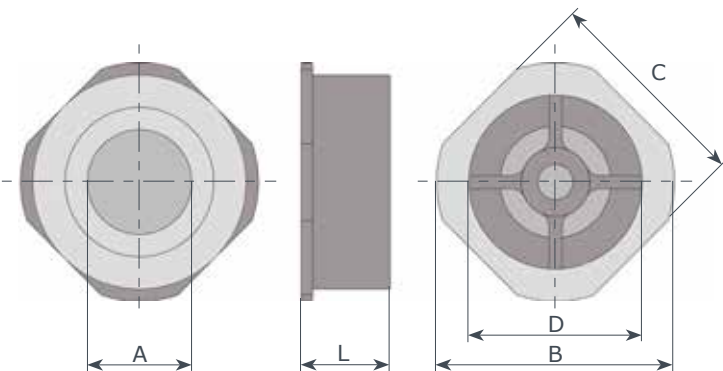


GA 015 DN 15 - 100 • 1/2" - 4"

Features

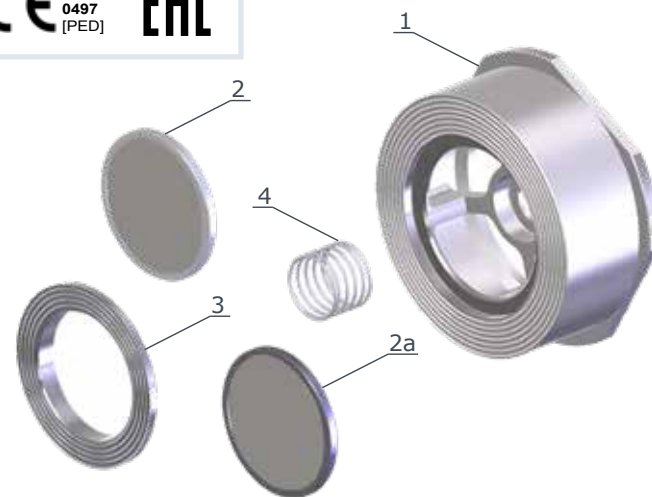
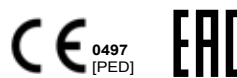
DN 15/100: P max: **52 Bar**
 Flange:
 DN 15÷80 **PN 6÷40, A150÷300**
 DN 100 **PN 10÷40, A150÷300**

Faces final quality: AARH 250/500
 This type of valve cannot be used with spirometallic packing.



DN	15	20	25	32	40	50	65	80	100
A	15	20	24	31	38	47	62	77	95
B	53	63	73	84	94	107	131	140	162
C	45	55	65	74	82	96	118	130	162
D	27	33	39	54	64	78	96	100	131
L	16	19	22	28	32	40	46	50	60
Kg	0.11	0.14	0.26	0.4	0.6	0.95	1.3	1.9	3.4

Certifications



item	q.ty	part	material
1	1	body	• EN 1.4408 (A351 CF8M)
2	1	disc	• EN 1.4404 (A316L)
2A	1	on request	• EN 1.4404 (A316L) + NBR • EN 1.4404 (A316L) + EPDM • EN 1.4404 (A316L) + FKM
3	1	seat disc on request	• EN 1.4401 (A316) • EN 1.4401 (A316) + PTFE
4	1	spring-standard on request	• EN 1.4401 (A316) • Hastelloy C276

minimum opening pressure with standard springs

flusso	DN	15	20	25	32	40	50	65	80	100
△	mBar	25	25	25	27	29	29	31	32	33
▷	mBar	23	23	23	24	25	25	26	26	27
▽	mBar	21	21	21	21	21	21	21	21	21
△ without spring	mBar	2	2	2	3	4	4	5	5	6

special spring table

DN	15	20	25	32	40	50	65	80	100
50 mBar	Y	Y	Y	Y	Y	Y	Y	Y	Y
100 mBar	Y	Y	Y	Y	Y	Y	Y	Y	Y
200 mBar	Y	Y	Y	Y	Y	Y	Y	Y	Y
300 mBar	Y	Y	Y	Y	Y	Y	Y	Y	Y
500 mBar	Y	Y	Y	Y	Y	Y	N	N	N

Y = available / N = not available
 Opening values may vary ±10%

GB 015 DN 15 - 100 • 1/2" - 4"

Features

DN 15/100:

P max: 52 Bar

Flange:

DN 15÷80

PN 6÷40, A150÷300

DN 100

PN 10÷40, A150÷300

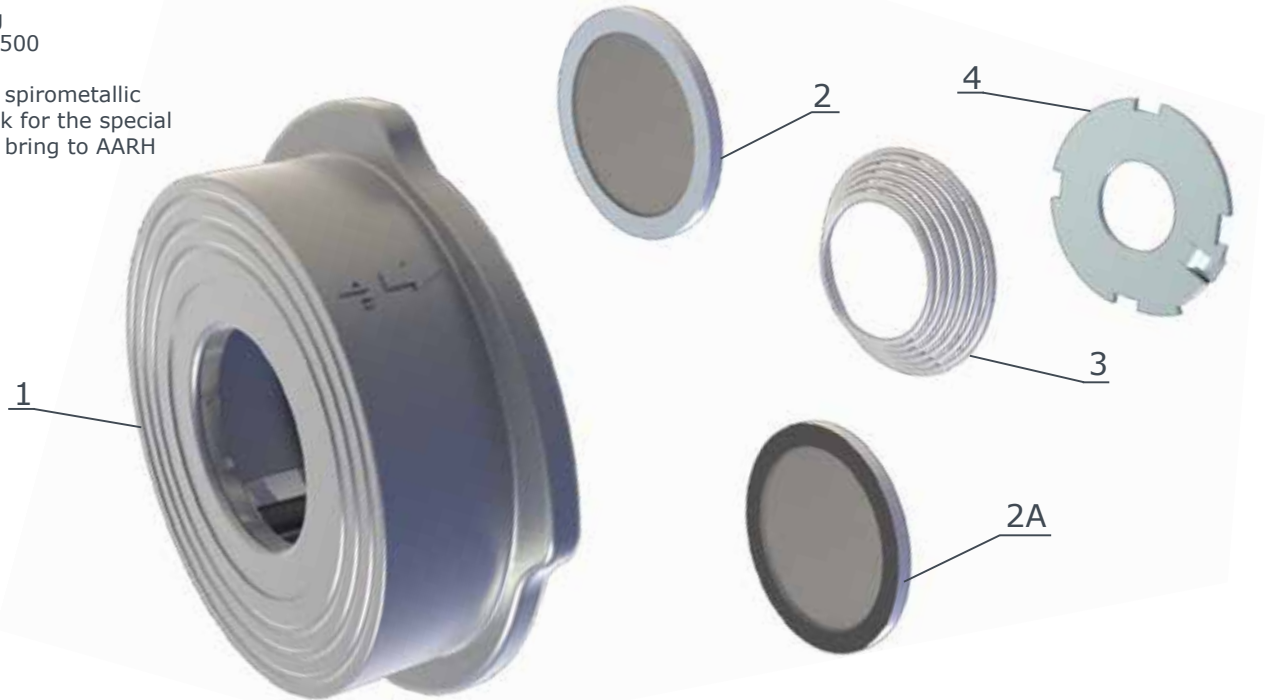
Final quality

Face A: raw casting

Face B: AARH 250/500

In case of use with spirometallic packing API 601 ask for the special machining that will bring to AARH 250/500 quality.

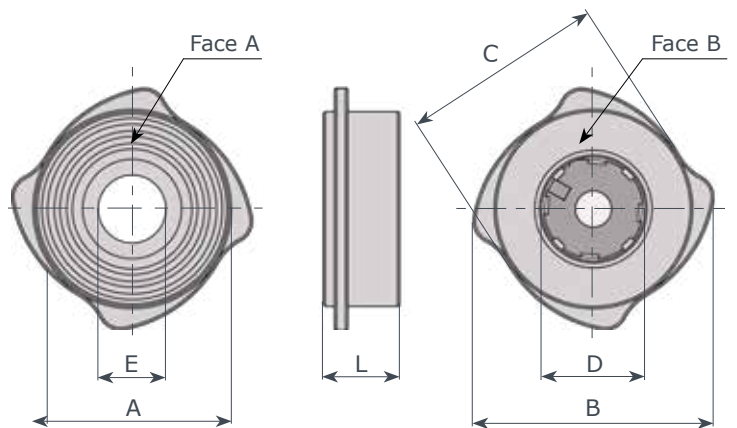
Certifications



Leakage:

according to EN 12266-1 Rate A with soft seat,
according to EN 12266-1 Rate E with metal seat.

GB 015			
iem	q.ty	part	material
1	1	body	• EN 1.4408 (A351 CF8M)
2	1	disc	• EN 1.4404 (A316L)
2A	1	on request	• EN 1.4404 (A316L) + NBR • EN 1.4404 (A316L) + EPDM • EN 1.4404 (A316L) + FKM
3	1	spring standard	• EN 1.4401 (A316)
4	1	stop ring	• EN 1.4404 (A316L)



minimum opening pressure with standard springs										
flow	DN	15	20	25	32	40	50	65	80	100
△	mBar	25	25	25	27	28	30	30	25	21
▷	mBar	23	23	23	25	23	24	24	19	15
▽	mBar	21	21	21	22	18	18	18	13	9
△ without spring	mBar	nd	nd	nd	nd	nd	nd	nd	nd	nd

GB 015									
DN	15	20	25	32	40	50	65	80	100
A	43	48	58	68	75	94	113	129	159
B	54	64	71	81	93	110	130	149	181
C	45	54	63	72	82	95	115	131	160
D	23	28	36	50	58	71	86	105	130
E	14	19	25	31	38	48	62	77	95
L	17	20	22	28	32	40	46	50	60
Kg	0.11	0.18	0.26	0.4	0.55	1	1.5	2	3.2

GB 023 DN 15 - 100 • 1/2" - 4"

Caratteristiche

Features

DN 15÷100 PN 10÷16

Max working pressure: 6 Bar

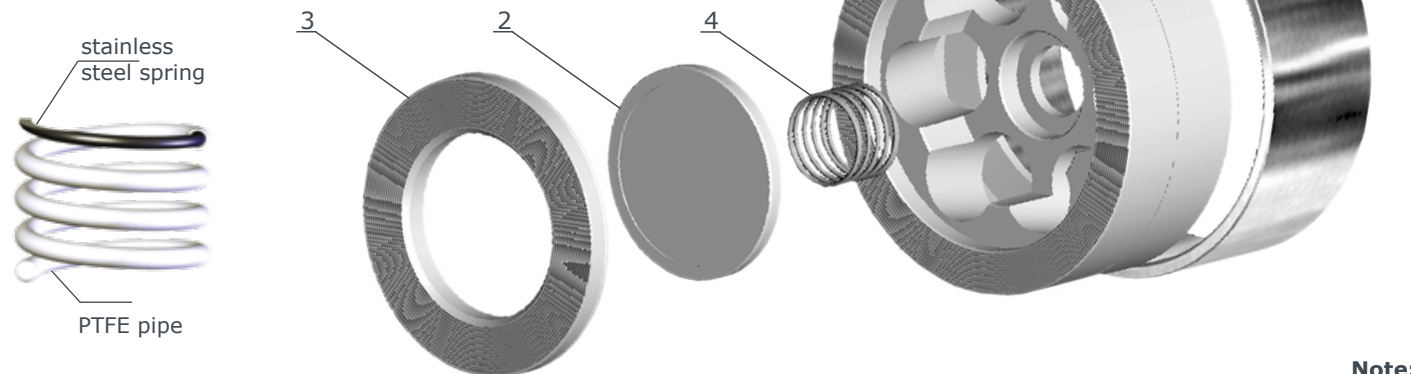
Max working temperature: 180°C

Faces final quality: AARH 250/500

This type of valve cannot be used with spirometallic packing.

Leakage according to EN 12266-1 Rate E

Certifications



On request spring can be coated with a PTFE pipe sealed at the end.

Note: assembly GB 023 with PN6 / ANSI150 flanges is possible without stainless steel jacket.

GB 023			
iem	q.ty	part	material
1	1	body	• PTFE
2	1	disc	• PTFE
3	1	seat	• PTFE
4	1	spring <i>on request</i>	• Hastelloy C276 • EN 1.4401 (A316) + PTFE • EN 1.4401 (A316) + Nyflon
5	1	jacket	• EN 1.4301 (TP304L)

DN	15	20	25	32	40	50	65	80	100
screw	4x M12	4x M12	4x M12	4x M16	4x M16	4x M16	4x M16	4x M16	8x M16
tightening torque Nmt	10	10	20	35	35	35	40	40	45

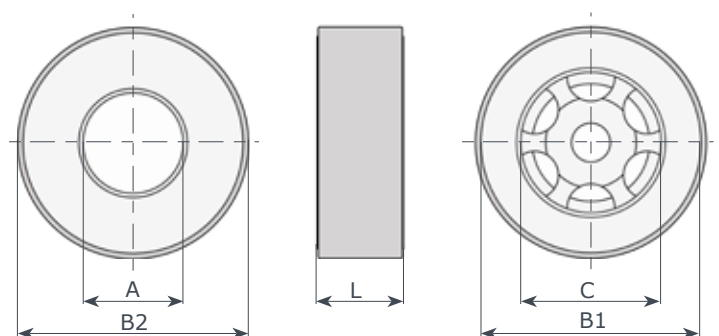
Note for installation:

Centre the valve carefully before tightening the flanges. Tighten the flange screws by applying the torque values shown nearby. Remember to cross tighten the screws. These values are measured at room temperature with new screws and lubricated threads.

special spring table (olny spring A316+Nyflon)										
DN	15	20	25	32	40	50	65	80	100	
50 mBar	Y	Y	Y	Y	Y	Y	Y	Y	Y	
100 mBar	Y	Y	Y	Y	Y	Y	Y	Y	Y	
200 mBar	Y	Y	Y	Y	Y	Y	Y	Y	Y	
300 mBar	Y	Y	Y	Y	Y	Y	Y	Y	Y	
500 mBar	Y	Y	Y	Y	Y	Y	N	N	N	

Y = available / N = not available

Opening values may vary ±10%



minimum opening pressure with standard springs										
flow	DN	15	20	25	32	40	50	65	80	100
△	mBar	23	23	24	25	26	26	27	27	29
▷	mBar	22	22	22.5	23	23.5	23.5	24	24	25
▽	mBar	21	21	21	21	21	21	21	21	21
△ without spring	mBar	1	1	1.5	2	2.5	2.5	3	3	4

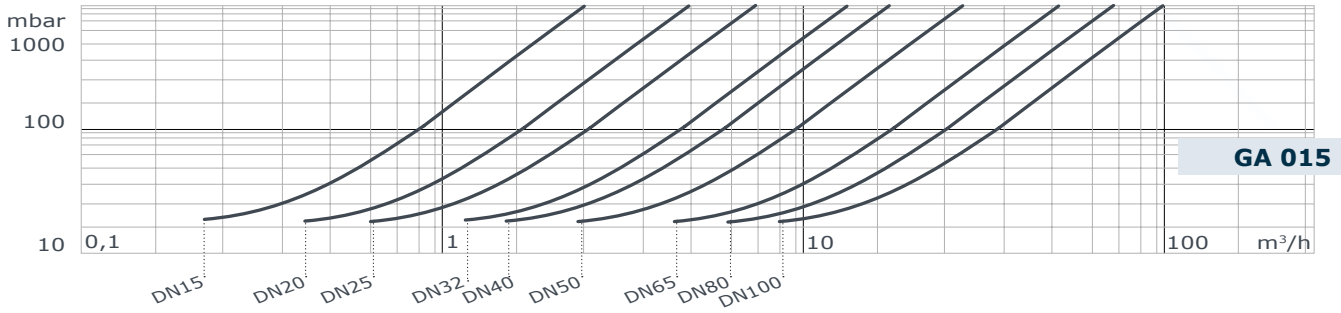
GB 023										
DN	15	20	25	32	40	50	65	80	100	
A	15	20	25	32	38	47	63	79	96	
B1	44	54	64	75	85	96	116	133	154	
B2	50	60	70	80	90	107	130	140	62	
C	30	38	40	56	65	78	95	100	120	
L	16	19	22	28	32	40	46	50	60	
kg	0.11	0.16	0.24	0.32	0.4	1	1.4	1.7	2.2	

GA 015

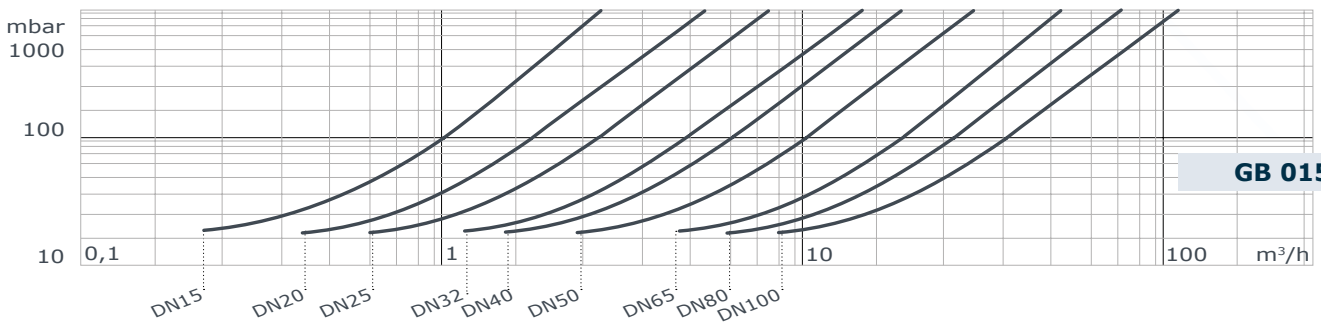
GB 015

GB 023

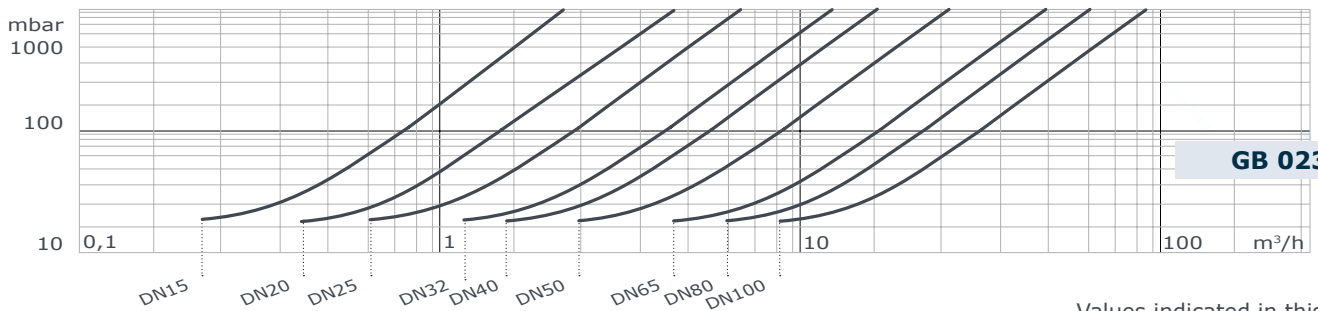
Head losses (H₂O - 20°C - horizontal flow, standard spring)



GA 015



GB 015



GB 023

Values indicated in this table are only for informations

Formula for calculation of equivalent flow rate to H₂O

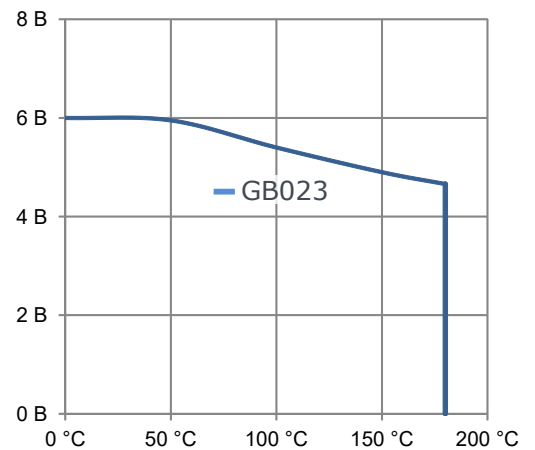
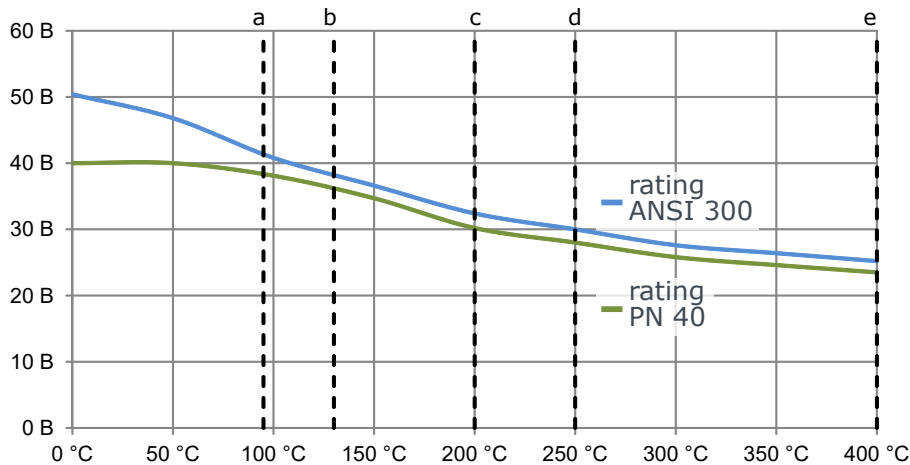
$$Q_e = Q \sqrt{\frac{d}{1000}}$$

For different liquid, gas or steam head losses are determined by equivalent water flow rate, as follows:

Q_e equivalent water flow (m³/h o l/s) Q fluid flow (m³/h o l/s) d fluid specific gravity (Kg/m³)

Temperature - pressure diagram

- a NBR seat Tmax = 95°C
- b EPDM seat Tmax = 130°C
- c FKM/PTFE seat Tmax = 200°C
- d Metallic seat Tmax = 250°C with EN 1.4401 (A316) spring
- e Metallic seat Tmax = 400°C with HASTELLOY C276 spring



GN 011 - GN 015 - GN 091 - GN 095 DN 15 - 100 • 1/2" - 4"

Features and Advantages

Little dimensions and low weights.

Face to face acc. to **DIN EN 558 Series 52 (DIN 3202 K5)**. Opening pressure from 20 to 500 mBar.

Leakage:

according to EN 12266-1 Rate A with soft seat,

according to EN 12266-1 Rate E with metal seat.

Faces final quality: AARH 250/500. Low head losses.

Usable also as vacuum breaker, overpressure and bottom valve.

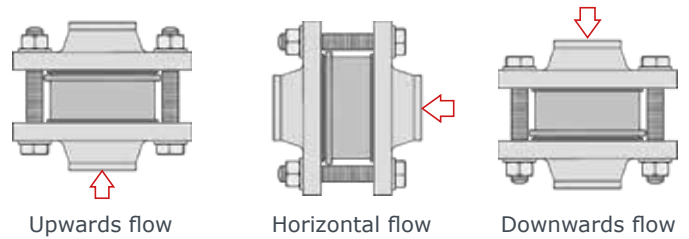
GN011 - GN015 - GN091 - GN095 P max: 52 Bar

Flange:

GN011 GN015 GN095 DN 15÷100 PN 10÷40, A150÷300
GN091 DN 15÷80 PN 10÷40, A150÷300

GT 011 - GT 015 - GT 091 - GT 095 DN 15 - 100 • 1/2" - 4"

To be installed in any position



GT011 - GT015 - GT091 - GT095 P max: 160 Bar

Flange:

GT011 GT015 GT095 DN 15÷100 PN 63÷160, A600÷900
GT091 DN 15÷80 PN 63÷160, A600÷900

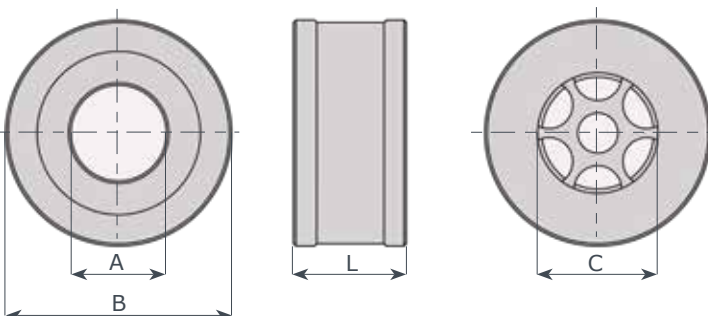
This type of valve cannot be used with spirometallic packing.

item	q.ty	part	GN 011 - GT 011 material	GN 015 - GT 015 material	GN 091 - GT 091 material	GN 095 - GT 095 material
1	1	body	• zinc plated steel ASTM 105	• EN 1.4401 (A316)	• Hastelloy UNS N10276 (SB574)	• Super Duplex EN 1.4501 (UNS S32760)
2	1	disc	• EN 1.4404 (A316L)	• EN 1.4404 (A316L)	• Hastelloy UNS N10276 (SB574)	• Super Duplex EN 1.4501 (UNS S32760)
3	1	O Ring	• NBR • EPDM • FKM • PTFE	• NBR • EPDM • FKM • PTFE	• NBR • EPDM • FKM • PTFE	• NBR • EPDM • FKM • PTFE
4	1	spring - standard on request	• EN 1.4401 (A316)	• EN 1.4401 (A316) • Hastelloy C276	• Hastelloy C276	• Hastelloy C276
5	1	seat	• EN 1.4401 (A316)	• EN 1.4401 (A316)	• Hastelloy UNS N10276 (SB574)	• Super Duplex EN 1.4501 (UNS S32760)

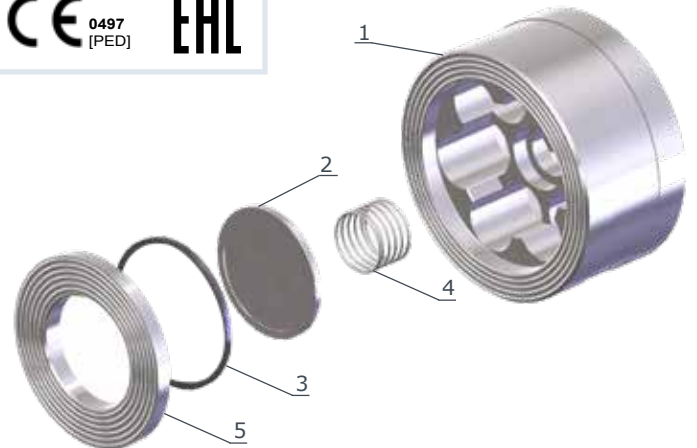
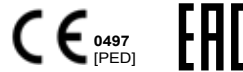
GN Series									
DN	15	20	25	32	40	50	65	80	100
A	15	20	24	31	38	47	62	77	96
B	46	56	69	75	85	107	125	138	165
C	21	25	30	40	48	60	88	90	110
L	25	31.5	35.5	40	45	56	63	71	80
Kg	0.3	0.6	1	1.3	1.8	2.5	4	5.9	8

GT Series									
DN	15	20	25	32	40	50	65	80	100
A	15	20	24	30	38	47	62	77	96
PN63/160	49	64	71	86	94	109	130	145	175
B A600	49	64	71	86	94	109	130	145	R*
A900	49	64	71	86	94	R*	R*	R*	R*
C	21	25	30	40	48	60	85	90	110
L	25	31.5	35.5	40	45	56	63	71	80
Kg	0.3	0.6	1	1.3	1.8	2.5	4	5.9	8

R* on request



Certifications

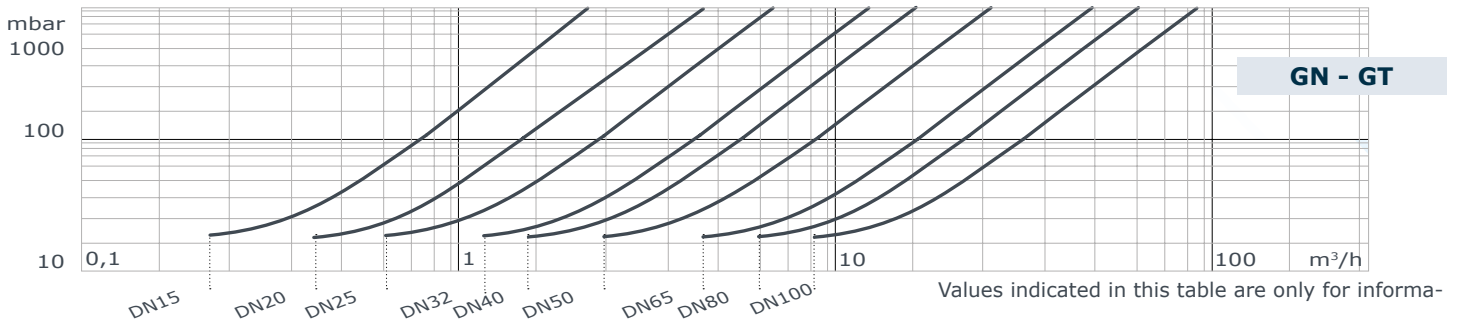


minimum opening pressure with standard springs

flow	DN	15	20	25	32	40	50	65	80	100
△	mBar	25	25	v	27	29	29	31	32	33
▷	mBar	23	23	23	24	25	25	26	26	27
▽	mBar	21	21	21	21	21	21	21	21	21
△ without spring	mBar	2	2	2	3	4	4	5	5	6

GN 011 - GN 015 GT 011 - GT 015 GN 091 - GT 091 GN 095 - GT 095

Head losses (H2O - 20°C - horizontal flow, standard spring)

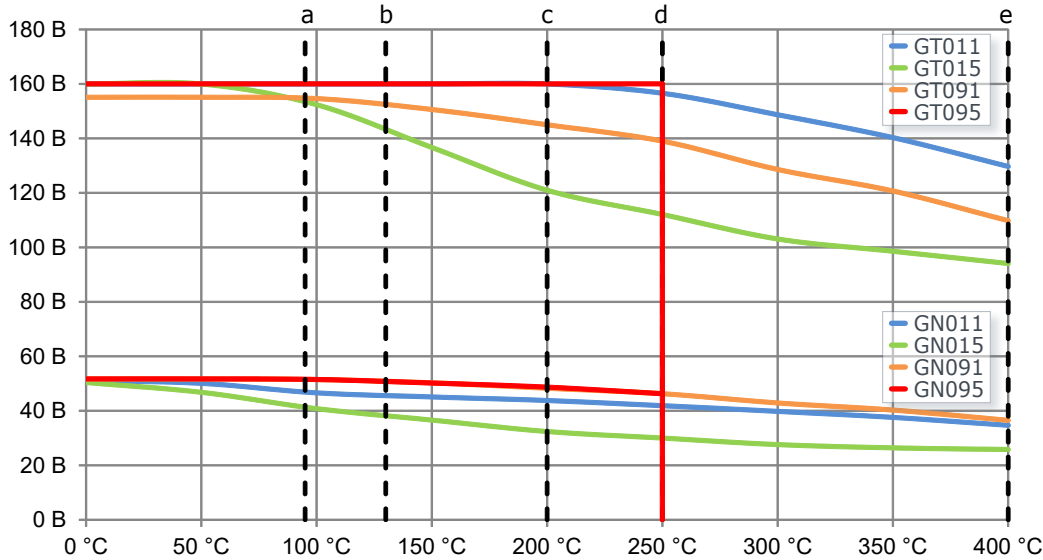


Formula for calculation of equivalent flow rate to H2O

$$Q_e = Q \sqrt{\frac{d}{1000}}$$

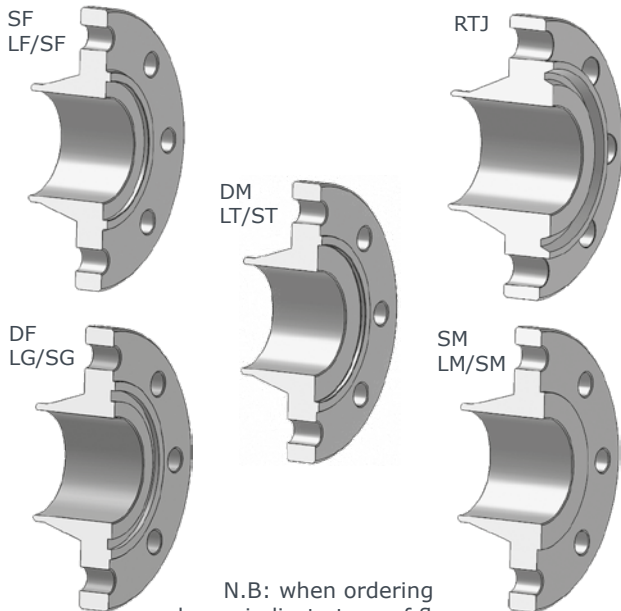
For different liquid, gas or steam head losses are determined by equivalent water flow rate, as follows:
 Q_e equivalent water flow (m^3/h o l/s) Q fluid flow (m^3/h o l/s) d fluid specific gravity (Kg/m^3)

Temperature - pressure diagram



- a** NBR seat $T_{max} = 95^\circ C$
- b** EPDM seat $T_{max} = 130^\circ C$
- c** FKM/PTFE seat $T_{max} = 200^\circ C$
- d** Metallic seat $T_{max} = 250^\circ C$ with EN 1.4401 (A316) spring or GN95-GT95 version
- e** Metallic seat $T_{max} = 400^\circ C$ without spring or HASTELLOY C276 spring

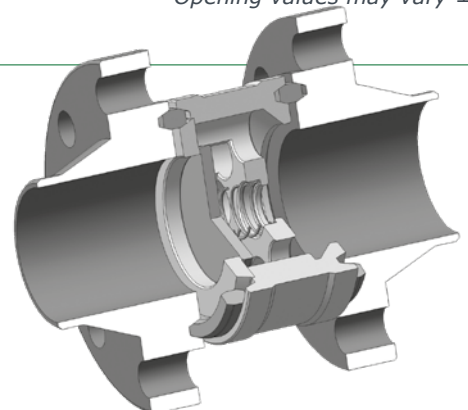
GN and GT valves can be inserted between following flanges:



special spring table									
DN	15	20	25	32	40	50	65	80	100
50 mBar	Y	Y	Y	Y	Y	Y	Y	Y	Y
100 mBar	Y	Y	Y	Y	Y	Y	Y	Y	Y
200 mBar	Y	Y	Y	Y	Y	Y	Y	Y	Y
300 mBar	Y	Y	Y	Y	Y	Y	Y	Y	Y
500 mBar	Y	Y	Y	Y	Y	Y	N	N	N

Y = available / N = not available
 Opening values may vary $\pm 10\%$

Application of GT valves with ANSI RTJ flanges:

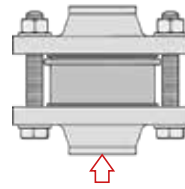


GH 011 - GH 015 DN 125- 200 • 5" - 8"

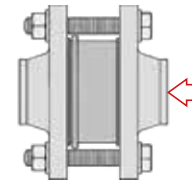
Features and Advantages

Little dimensions and low weights.
Face to face acc. to **DIN EN 558 Series 49 (DIN 3202 K4)**. Opening pressure from 10 to 500 mBar.
Usable also as vacuum breaker, overpressure and bottom valve.
Leakage:
according to EN 12266-1 Rate A with soft seat,
according to EN 12266-1 Rate E with metal seat.
Low head losses.

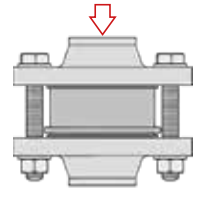
To be installed in any position



Upwards flow



Horizontal flow



Downwards flow

GH 011 - GH 015

P max: 25 Bar

Flange:

DN 125÷200 PN 10÷25, A150

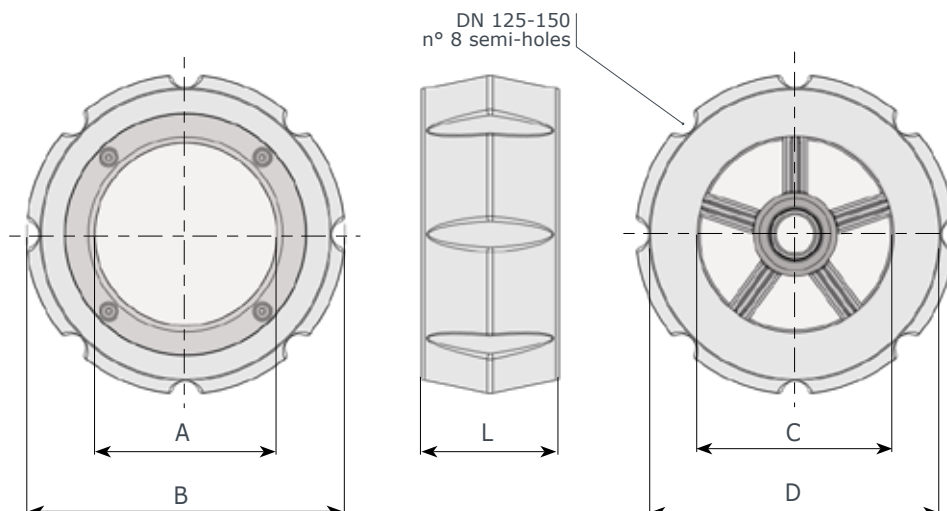
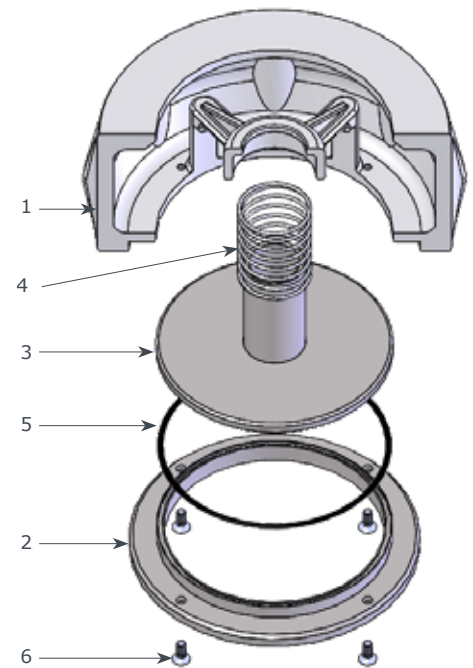
Faces final quality: AARH 250/500

This type of valve cannot be used with spirometallic packing.

Certifications:



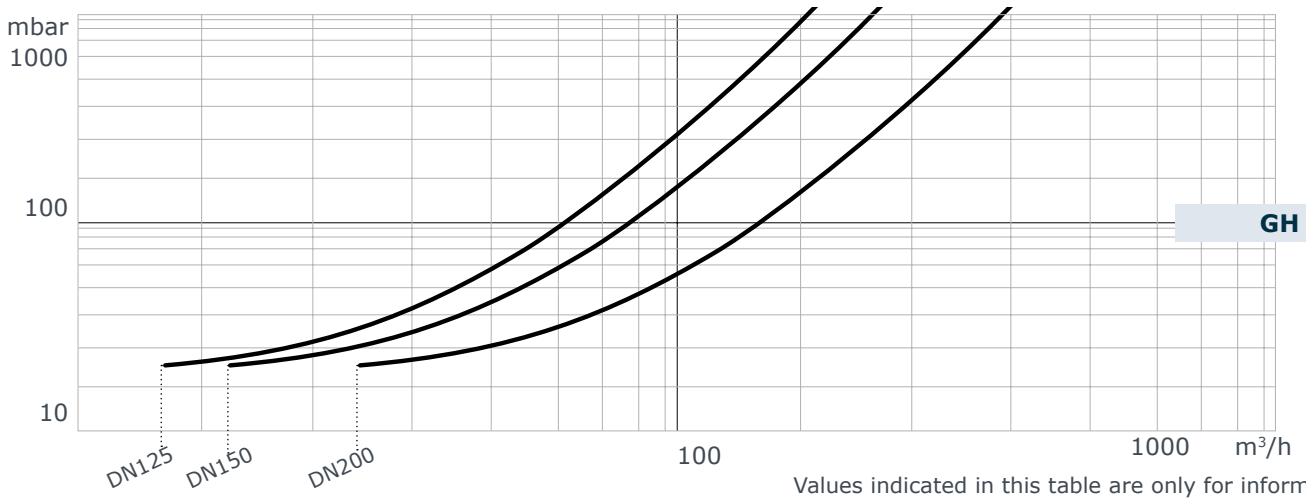
item	q.ty	part	GH 011	GH 015
			material	material
1	1	body	• ASTM A216 WCB	• EN 1.4408 (A351 CF8M)
2	1	seat	• EN 1.4404 (A316L)	• EN 1.4404 (A316L)
3	1	disc	• EN 1.4404 (A316L)	• EN 1.4404 (A316L)
4	1	spring- standard on request	• EN 1.4401 (A316)	• EN 1.4401 (A316) • Hastelloy C276
5	1	O-Ring	• NBR • EPDM • FKM • PTFE	• NBR • EPDM • FKM • PTFE
6	4	screw	• A4 (A316)	• A4 (A316)



DN	125	150	200
A	120	140	183
B	210	242	273
C	125	150	200
D	192	220	-
L	90	106	140
Kg	8.2	12.5	18.6

GH 011 - GH 015

Head losses (H2O - 20°C - horizontal flow, standard spring)



Formula for calculation of equivalent flow rate to H2O

$$Q_e = Q \sqrt{\frac{d}{1000}}$$

For different liquid, gas or steam head losses are determined by equivalent water flow rate, as follows:

Q_e equivalent water flow (m^3/h o l/s)

Q fluid flow (m^3/h o l/s)

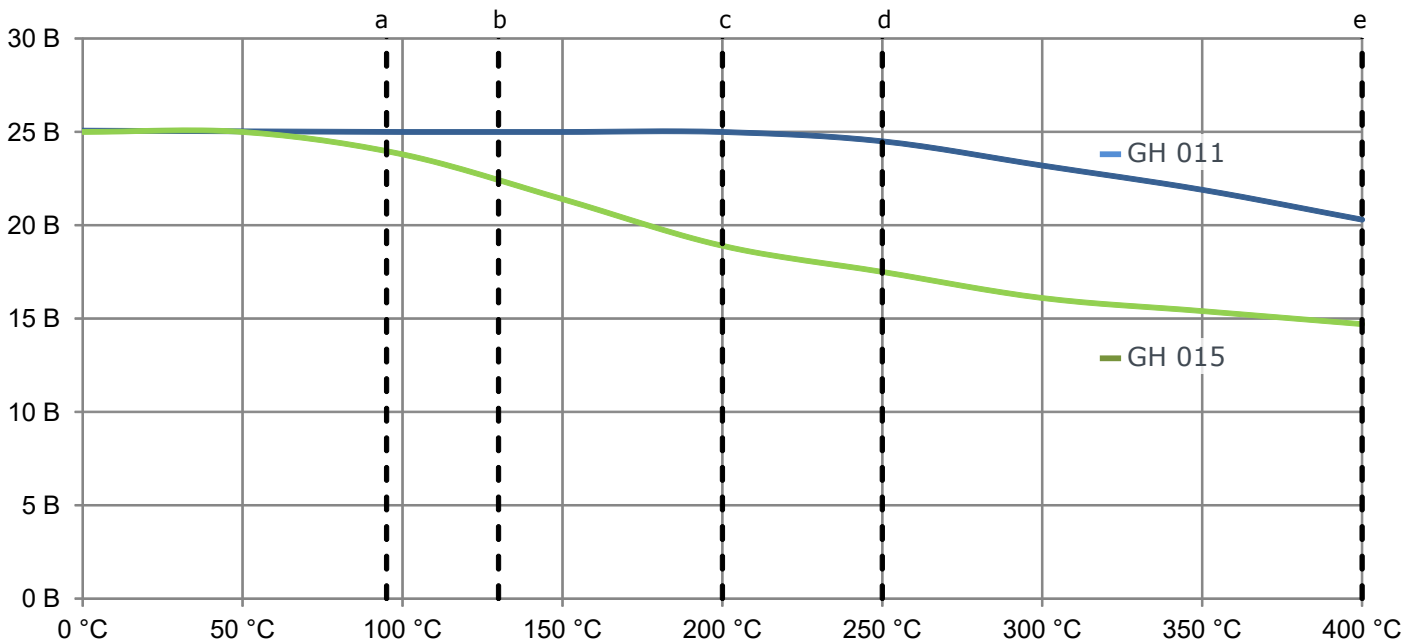
d fluid specific gravity (Kg/m^3)

Temperature - pressure diagram

- a NBR seat $T_{max} = 95^\circ C$
- b EPDM seat $T_{max} = 130^\circ C$
- c FKM/PTFE seat $T_{max} = 200^\circ C$

d Metallic seat with EN 1.4401 (A316)
spring $T_{max} = 250^\circ C$

e Metallic seat with HASTELLOY C276
spring $T_{max} = 400^\circ C$



Minimum opening pressure with standard springs

flow	DN	125	150	200	flow	DN	125	150	200
△	mBar	34	36	36	▽	mBar	17	18	18
▷	mBar	22	23	27	△ without spring	mBar	8	9	10

GS 011 - GS 015 - GS 095
DN 40 - 600 • 1^{1/2}" - 24"

Features and Advantages

Little dimensions and low weights.

Leakage:

according to EN 12266-1 Rate A with soft seat,
 according to EN 12266-1 Rate E with metal seat.
 Face to Face according to DIN EN 558 Series 97.

Low head losses.

Faces final quality

O-ring version: Smooth Finish

Metallic seat: AARH 125-150

In case of use with spirometallic
 packing API 601 ask for the Metallic seat version.

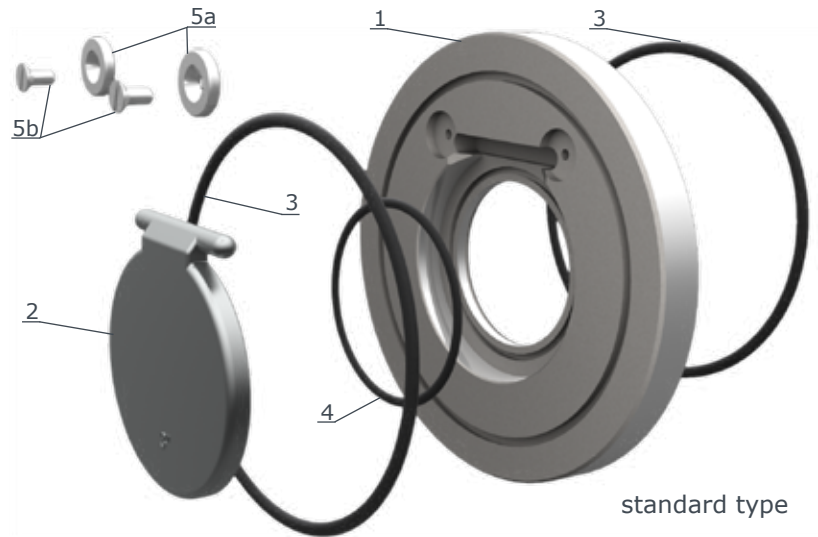
On request different materials can be supplied

GS 011 - GS 015 - GS 095

Flange:

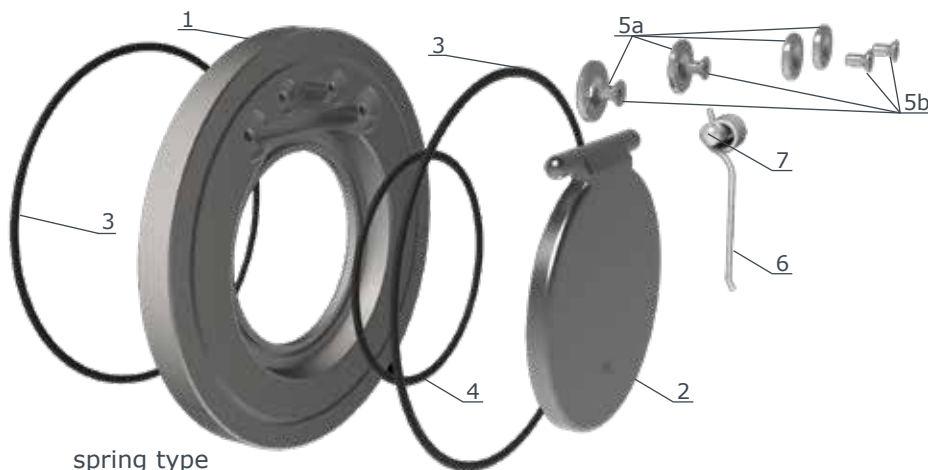
DN 40÷600 PN 6÷25, A150 - P max:25 Bar
 DN 40÷300 ANSI 300 - P max:52 Bar

Certifications:



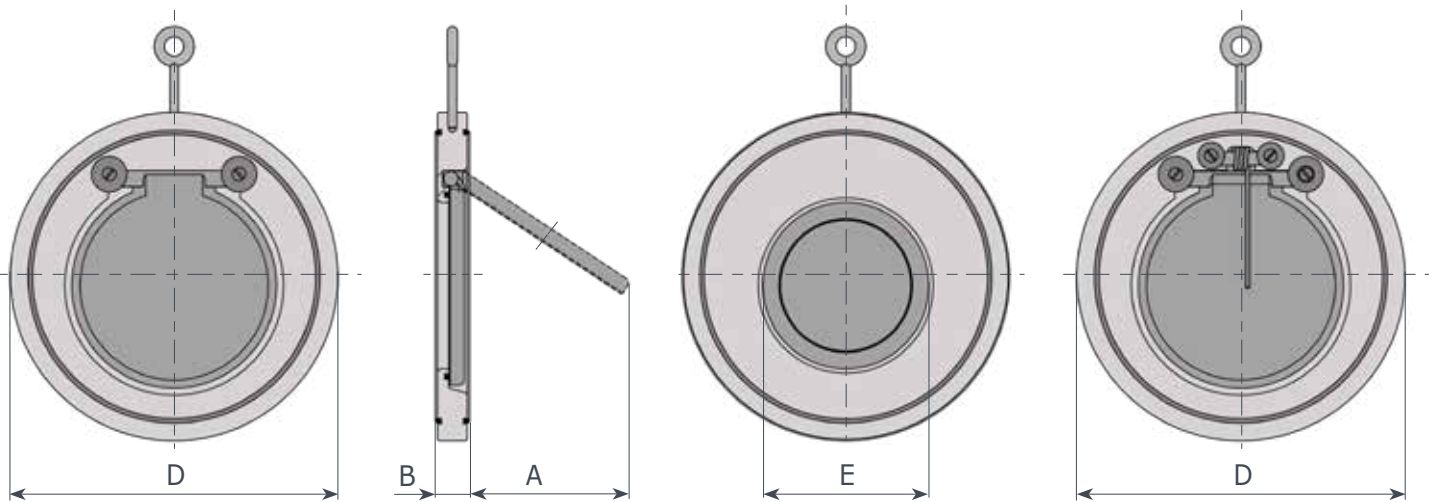
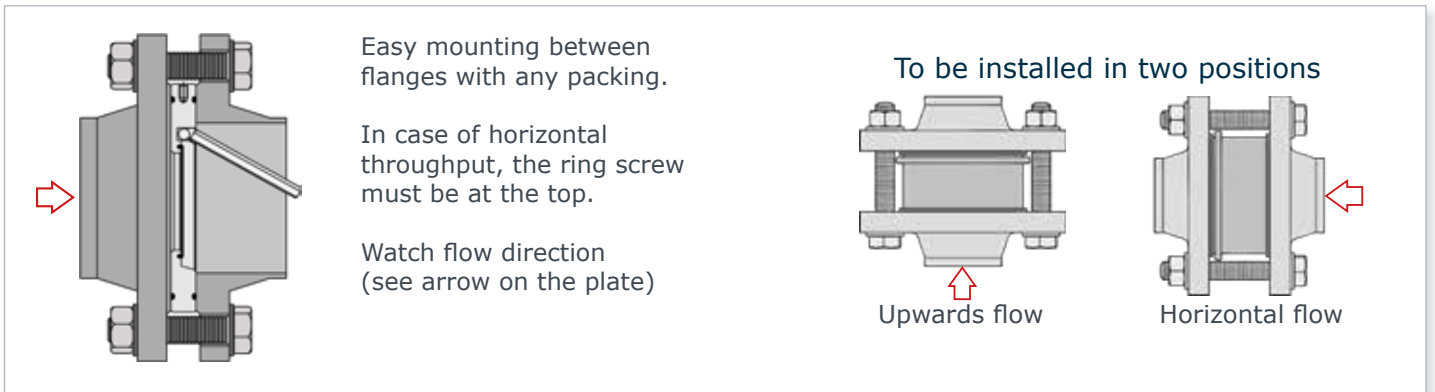
standard type

pos.	q.ty	part	GS 011 material	GS 015 material	GS 095 material
1	1	body	<ul style="list-style-type: none"> • DN040-065: zinc plated steel ASTM 105 • DN080-600: P355NH 	<ul style="list-style-type: none"> • EN 1.4401 (A316) 	<ul style="list-style-type: none"> • Super Duplex EN 1.4501 (UNS S32760)
2	1	clapet	<ul style="list-style-type: none"> • DN040-200: EN 1.4408 (A351 CF8M) • DN250-600: P355NH 	<ul style="list-style-type: none"> • DN040-200: EN 1.4408 (A351 CF8M) • DN250-600: EN 1.4404 (A316L) 	<ul style="list-style-type: none"> • Super Duplex EN 1.4501 (UNS S32760)
3-4	1	O.ring	<ul style="list-style-type: none"> • NBR (BUNA) • EPDM • FKM (VITON) • PTFE 	<ul style="list-style-type: none"> • NBR (BUNA) • EPDM • FKM (VITON) • PTFE 	<ul style="list-style-type: none"> • NBR (BUNA) • EPDM • FKM (VITON) • PTFE
5a	2+2	washer	<ul style="list-style-type: none"> • EN 1.4401 (A316) 	<ul style="list-style-type: none"> • EN 1.4401 (A316) 	<ul style="list-style-type: none"> • Super Duplex EN 1.4501 (UNS S32760)
5b	2+2	screw	<ul style="list-style-type: none"> • A4 (A316) 	<ul style="list-style-type: none"> • A4 (A316) 	<ul style="list-style-type: none"> • Super Duplex EN 1.4501 (UNS S32760)
6	1	spring	<ul style="list-style-type: none"> • EN 1.4401 (A316) 	<ul style="list-style-type: none"> • EN 1.4401 (A316) 	<ul style="list-style-type: none"> • INCONEL 718
7	1	pin	<ul style="list-style-type: none"> • EN 1.4401 (A316) 	<ul style="list-style-type: none"> • EN 1.4401 (A316) 	<ul style="list-style-type: none"> • Super Duplex EN 1.4501 (UNS S32760)



spring type

GS 011 - GS 015 - GS 095

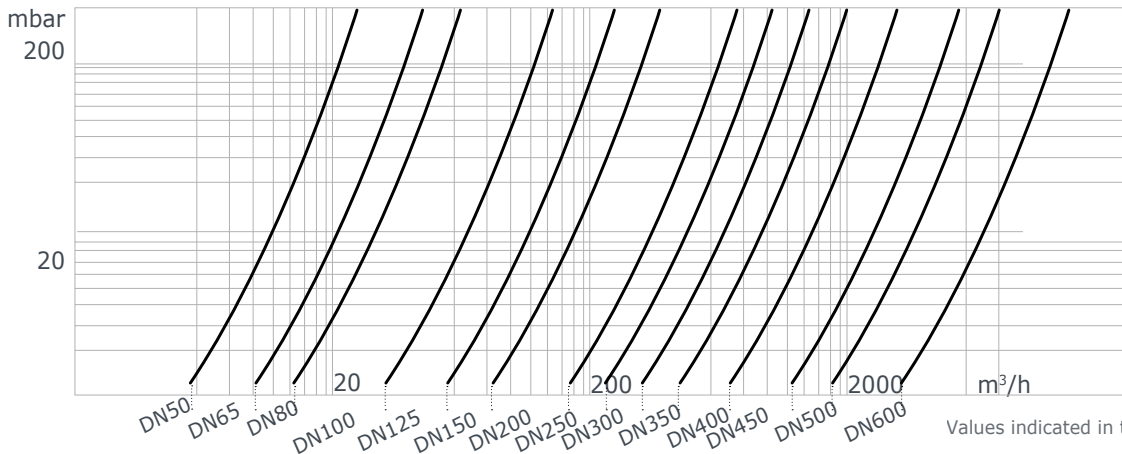


This data sheet describes the standard production.

For valves with different rating (max ANSI 1500), please contact our technical department

DN	A	PN 6			PN 10			PN 16			PN 25			ANSI 150			Kg max	ANSI 300			Kg
		D	E	B	D	E	B	D	E	B	D	E	B	D	E	B		D	E	B	
40	30	88	22	14	95	22	14	95	22	14	95	22	14	86	22	14	0.7	95	22	14	0.7
50	35	98	32	14	109	32	14	109	32	14	109	32	14	106	32	14	0.9	109	32	14	0.9
65	48	118	40	14	128	40	14	128	40	14	128	40	14	124	40	14	1.2	128	40	14	1.2
80	60	134	54	14	145	54	14	145	54	14	145	54	14	138	54	14	1.5	145	54	14	1.5
100	78	154	70	18	164	70	18	164	70	18	170	70	18	175	70	18	2.5	179	70	18	3.2
125	98	184	92	18	195	92	18	195	92	18	195	92	18	195	92	18	3.2	214	92	32	7.6
150	117	209	112	20	221	112	20	221	112	20	228	112	20	221	112	20	5.3	249	112	32	10.3
200	160	264	154	22	275	154	22	275	154	22	287	154	22	279	154	22	9.7	308	154	42	19.7
250	200	319	200	26	330	200	26	330	200	26	344	200	26	339	200	26	16.2	359	200	47	24.8
300	235	375	240	32	380	240	32	387	240	32	404	240	32	410	240	32	28	425	240	52	45.6
350	258	425	270	38	440	270	38	447	270	38	460	270	38	450	270	38	32	-	-	-	-
400	300	475	310	44	490	310	44	495	310	44	514	310	44	514	310	44	48	-	-	-	-
450	331	530	355	50	540	355	50	557	355	50	567	355	50	548	355	50	63	-	-	-	-
500	368	580	405	56	595	405	56	619	405	56	627	405	56	605	405	56	87	-	-	-	-
600	410	682	486	64	698	486	64	735	486	64	735	486	64	715	486	64	136	-	-	-	-

Head losses (H2O - 20°C - horizontal flow)



GS

Values indicated in this table are only for informations.

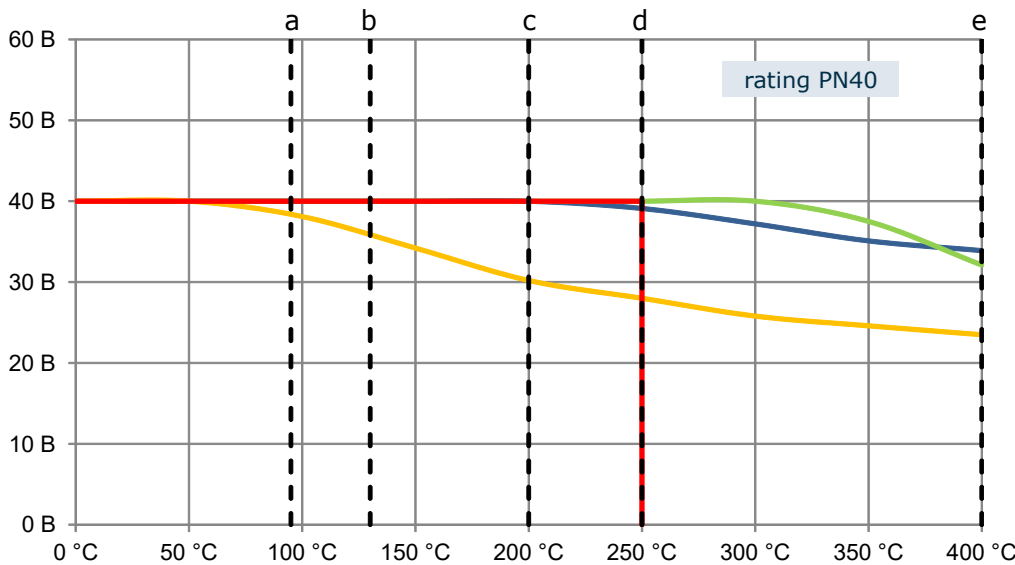
Formula for calculation of equivalent flow rate to H2O

$$Q_e = Q \sqrt{\frac{d}{1000}}$$

For different liquid, gas or steam head losses are determined by equivalent water flow rate, as follows:

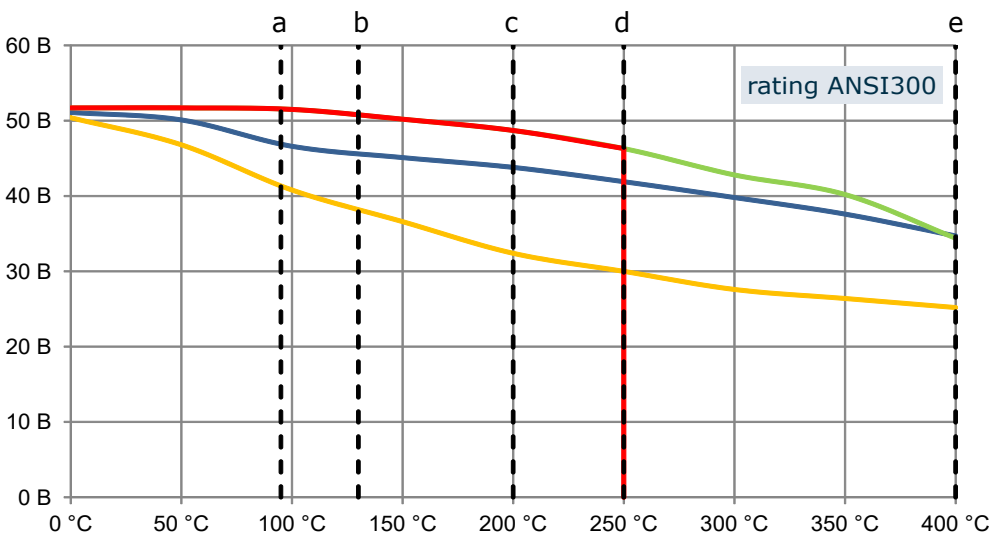
Q_e equivalent water flow (m^3/h o l/s)
 Q fluid flow (m^3/h o l/s)
 d fluid specific gravity (Kg/m^3)

Temperature - pressure diagram



- GS011 DN040-065
- GS011 DN080-600
- GS015
- GS095

- a** NBR seat $T_{max} = 95^\circ C$
- b** EPDM seat $T_{max} = 130^\circ C$
- c** FKM/PTFE seat $T_{max} = 200^\circ C$
- d** Metallic seat with EN 1.4401 (A316) spring $T_{max} = 250^\circ C$
- e** Metallic seat with INCONEL C276 spring $T_{max} = 400^\circ C$



- GS011 DN040-065
- GS011 DN080-600
- GS015
- GS095





MORE THAN 40 YEARS OF HIGH QUALITY EXPERIENCE

Ghibson Italia can now boast of more than 40 years of experience in manufacturing of industrial valves. In these 40 years we have designed and manufactured in our facilities in Italy butterfly valves and check valves, for the most different industrial applications.

We export our products all over the world always providing our customers with the best assistance during all the phases: design, installation, maintenance.

MARKET SEGMENTS and APPLICATIONS

Marine
Water Treatment
Pulp & Paper
Power Plant
Nuclear Plant
HVAC
Chemical & Petrochemical
Powder Conveying Systems
Food & Beverage

Steam isolation - Vacuum service - Refining
Cooling Water systems - Metallurgical processes
Powder transportation & storage
Oil field recovery - Liquid natural gas
Steam service - Steam Turbine
Saltwater Service - District heating & cooling
Hot Air & Smokes
Chemicals storage & transportation
Food & Beverage processes

DEPARTMENTS

- RESEARCH & DEVELOPMENT
- DESIGN
- CUSTOMIZATION
- PRODUCTION & LOGISTIC
- SALES & MARKETING
- QUALITY CONTROL
- CERTIFICATIONS
- PACKING AND SHIPPING
- AFTER SALES SUPPORT

WIDE RANGE OF PRODUCTS

Very large choice of materials including valves of every alloy of carbon or stainless steel, bronze, aluminium, as well as with PTFE or Polypropylene.

We manufacture rubber seated valves with many elastomer types (EPDM, NBR, FKM, Silicone, Carboxidate among others), as well as PTFE, RTFE seated valves with many different coatings such as Halar, Rilsan, PFA, Chenisil, etc.

We can offer a total assistance:

- before selling we can start from dimensioning the valves and actuators, make selection of materials for all parts upon knowing the specification, prepare all types of drawings etc.
- after selling we make final documentation, provide installation supervision, undertake commissioning etc.

BUTTERFLY VALVES

Rubber Seated
PTFE Seated
High Performance
Damper Valves

ACTUATORS & OPTIONS

Pneumatic - Electric -
Hydraulic

CUSTOMIZED VALVES

CHECK VALVES
Disc type - Swing type
Dual plate

CONTROL SYSTEMS

CERTIFICATIONS





*not just valves,
but solutions*



Ghibson Italia srl

Via Dozza, 2 40069 Zola Predosa BO Italy
tel +39 051 835711 info@ghibson.it

ghibsonvalves.com

