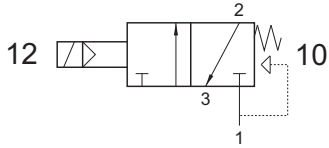
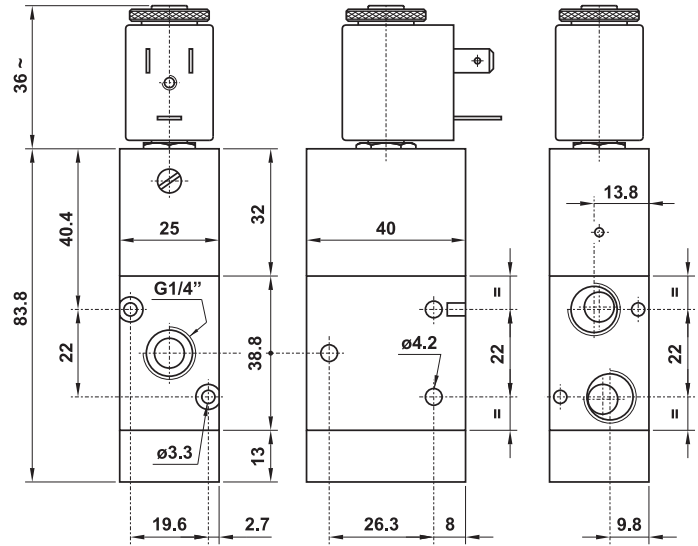
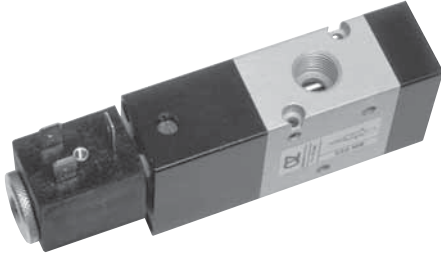


## 322 ME

3/2 1/4" Normalde Kapalı (NC) Bobin Yay Selonoid  
3/2 1/4" NC solenoid pilot - spring return

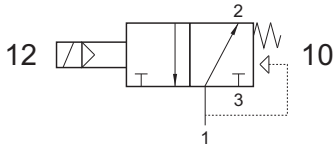


Normalde Açık Kullanılmaz  
It cannot be used as normally open valve.

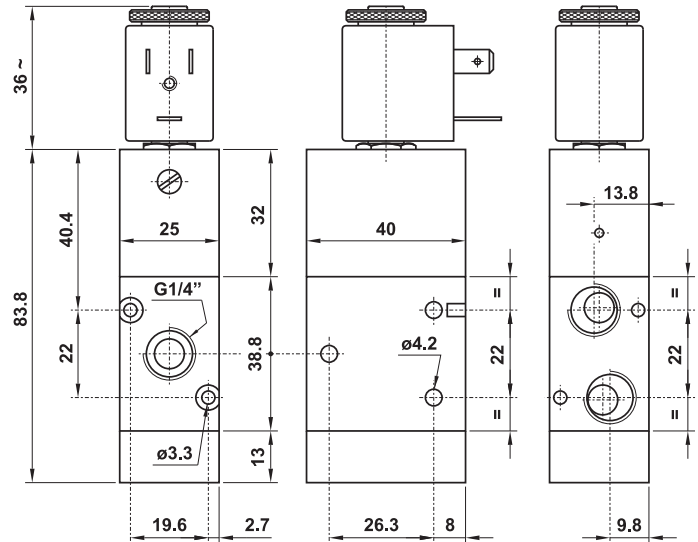
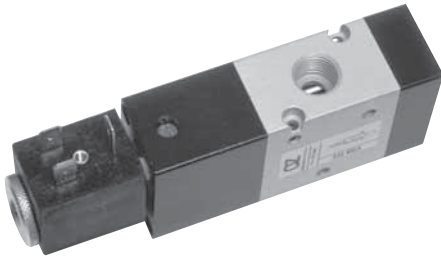


## 322 MEA

3/2 1/4" Normalde Açık (NO) Bobin Yay Selonoid  
3/2 1/4" NO solenoid pilot - spring return



Normalde Kapalı Kullanılmaz  
It cannot be used as normally closed valve.



## 322 CE

3/2 1/4" Normalde Kapalı (NC) Bobin Difransiyel  
3/2 1/4" solenoid pilot - separate pneumatically piloted return

