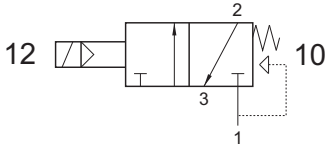
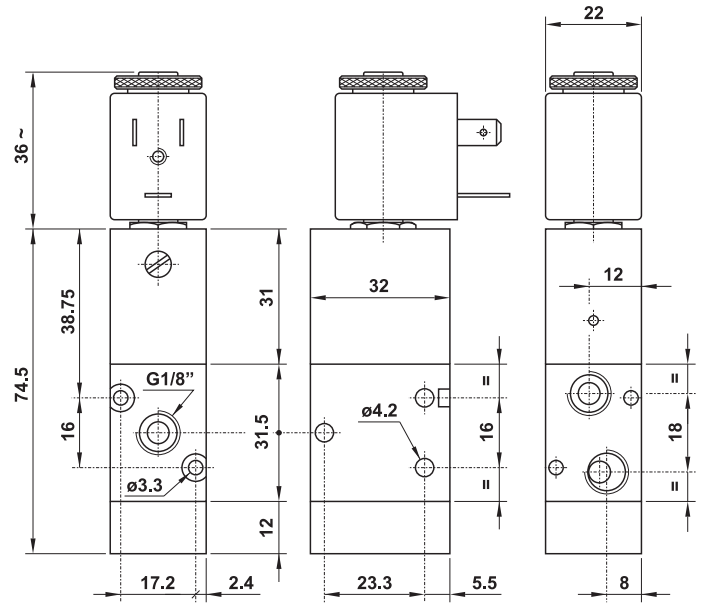
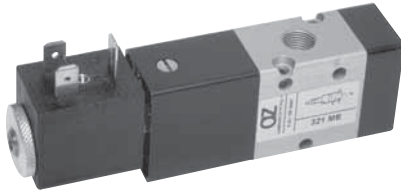


321 ME

3/2 1/8" Normalde Kapalı (NC) Bobin Yay Selonoid
1/8" NC solenoid pilot - spring return

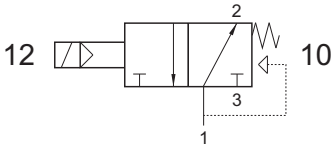


Normalde Açık Kullanılmaz
It cannot be used as normally open valve.



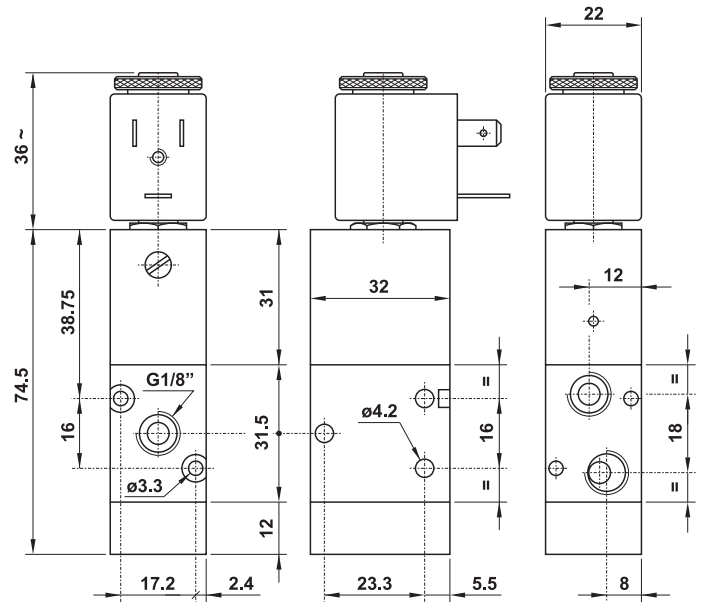
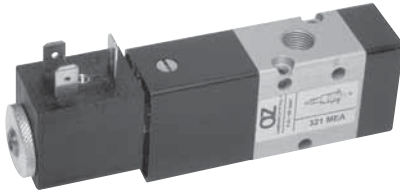
321 MEA

3/2 1/8" Normalde Açık (NO) Bobin Yay Selonoid
3/2 1/8" NO solenoid pilot - spring return



Normalde Kapalı Kullanılmaz
It cannot be used as normally closed valve.

ONLY ALUMINIUM VERSION



321 CE

3/2 1/8" Normalde Kapalı (NC) Bobin Difransiyel
3/2 1/8" solenoid pilot - separate pneumatically piloted return

